

1

2

3

4

5

6

A

B

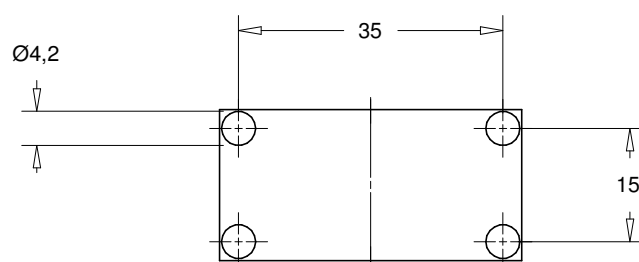
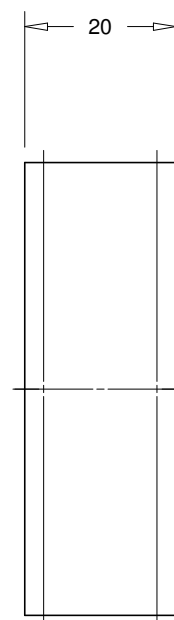
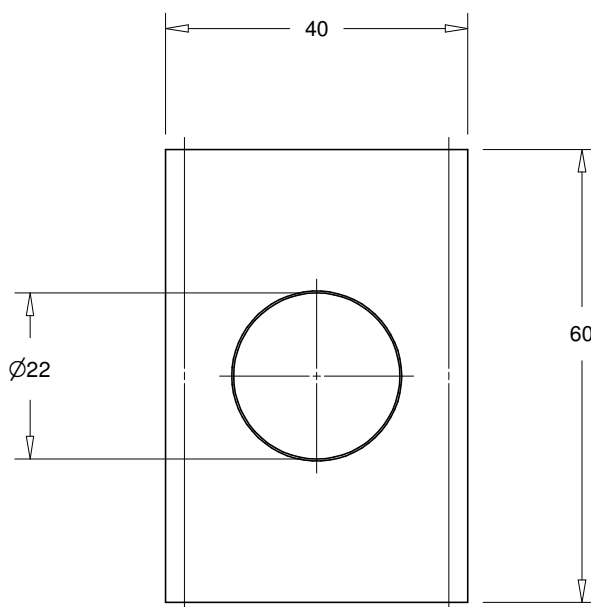
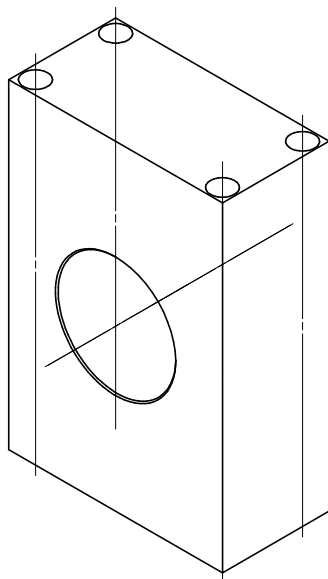
C

D

E

F

G



Drawn by: cvdw

Client:

Date: 27/02/2015

Material: Alu

Toleranties: DIN7168 mittel

Heading:

Tegenlager Z-as

Formaat: A4

Scale:

Dwg nr.: 150227/03

**CONSTRUCTION  
VAN DE WALLE**

J. Parijslaan 30  
B-9940 EVERGEM  
Belgium

tel: +32.92.53.58.58

fax: +32.92.53.71.72

mailto:ghislain@vdwalle.com

H